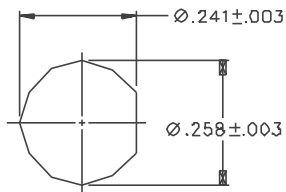


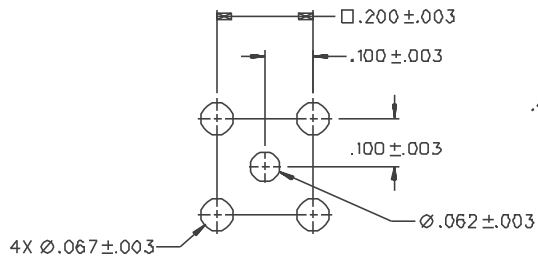
PART NUMBER	ITEM ① BODY	ITEM ② CONTACT (ONE PIECE)	ITEM ③ INSULATOR	ITEM ④ WASHER	ITEM ⑤ NUT	ITEM ⑥ BASE	ITEM ⑦ INSULATOR
142-0701-501	BRASS GOLD PL .00001 MIN OVER NICKEL PL .0001 MIN OVER COPPER PL .00005 MIN	BRASS GOLD PL .00003 MIN OVER NICKEL PL .00005 MIN OVER COPPER PL .00005 MIN	TEFLON	BRASS GOLD PL .00001 MIN OVER NICKEL PL .0001 MIN OVER COPPER PL .00005 MIN	BRASS GOLD PL .00001 MIN OVER NICKEL PL .0001 MIN OVER COPPER PL .00005 MIN	BRASS GOLD PL .00001 MIN OVER NICKEL PL .0001 MIN OVER COPPER PL .00005 MIN	TEFLON
142-0701-506	BRASS NICKEL PL .0001 MIN OVER COPPER PL .00005 MIN	BRASS GOLD PL .00003 MIN OVER NICKEL PL .00005 MIN OVER COPPER PL .00005 MIN	TEFLON	BRASS NICKEL PL .0001 MIN OVER COPPER PL .00005 MIN	BRASS NICKEL PL .0001 MIN OVER COPPER PL .00005 MIN	BRASS NICKEL PL .0001 MIN OVER COPPER PL .00005 MIN	TEFLON

DRAWING NO. C - 142-4701-501/510			
REVISIONS			
ENGINEERING RELEASE			
1	11-2-98	R	ECN 459B4



BULKHEAD MOUNTING HOLE

5:1



PC MOUNTING HOLE LAYOUT

NOTES:

5:1

1. SPECIFICATIONS:

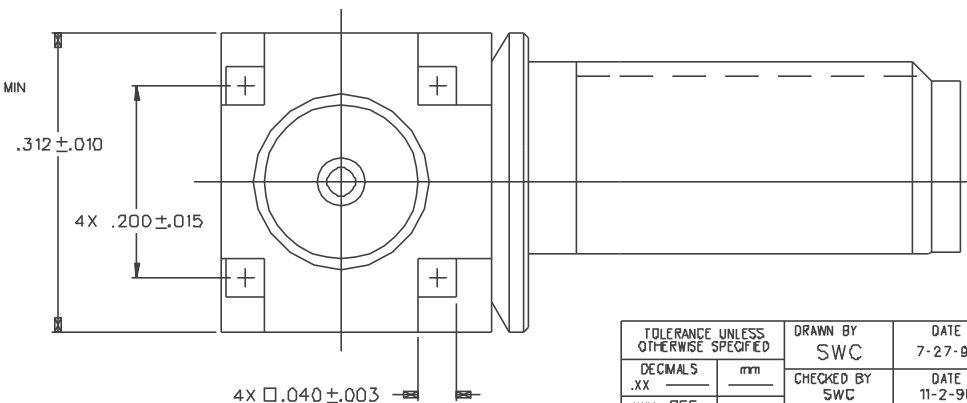
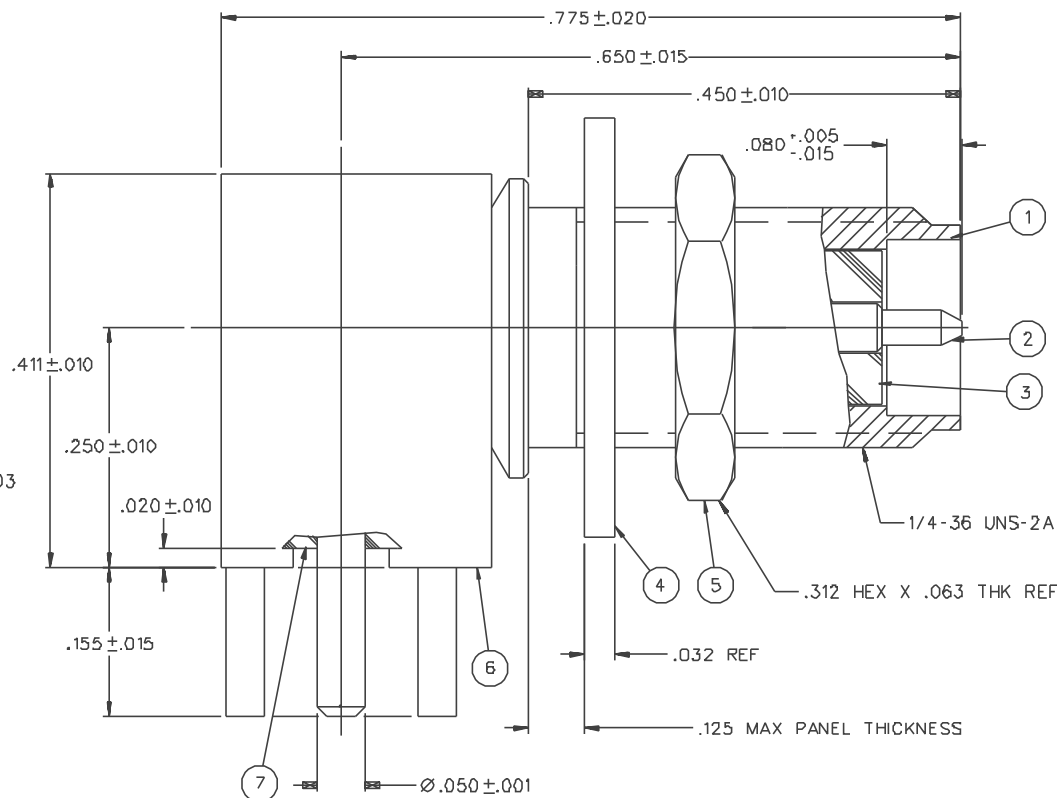
- IMPEDANCE: 50 OHMS
- FREQUENCY RANGE: 0-18 GHz
- VSWR: NOT APPLICABLE
- WORKING VOLTAGE: 335 VRMS MAX AT SEA LEVEL
- DELECTRIC WITHSTANDING VOLTAGE: 1000 VRMS MIN AT SEA LEVEL
- INSULATION RESISTANCE: 5000 MEGOHM MIN
- CONTACT RESISTANCE:
 - CENTER CONTACT - INITIAL 3.0 MILLIOHM MAX, AFTER ENVIRONMENTAL 4.0 MILLIOHM MAX
 - OUTER CONDUCTOR - INITIAL 2.0 MILLIOHM MAX AFTER ENVIRONMENTAL NOT APPLICABLE
- BRAID TO BODY - NOT APPLICABLE
- CORONA LEVEL: 250 VOLTS MIN AT 70,000 FEET
- INSERTION LOSS: NOT APPLICABLE
- RF LEAKAGE: NOT APPLICABLE
- RF HIGH POTENTIAL WITHSTANDING VOLTAGE: 670 VRMS AT 4 AND 7 MHZ MIN

MECHANICAL:

- ENGAGE/DISENGAGE TORQUE: 2 INCH-POUNDS MAX
- MATING TORQUE: 7-10 INCH POUNDS
- COUPLING PROOF TORQUE: NOT APPLICABLE
- COUPLING NUT RETENTION: NOT APPLICABLE
- CONTACT RETENTION: 6 LBS MIN AXIAL FORCE
- CABLE ACCEPTABILITY: NOT APPLICABLE
- CABLE HEX CRIMP SIZE: NOT APPLICABLE
- CABLE RETENTION: NOT APPLICABLE
- DURABILITY: 500 CYCLES MIN

ENVIRONMENTAL:

- (MEETS OR EXCEEDS THE APPLICABLE PARAGRAPH OF MIL-C-39012)
- THERMAL SHOCK: MIL-STD-202, METHOD 107, CONDITION B
- OPERATING TEMPERATURE: -65 DEG C TO 165 DEG C
- CORROSION: MIL-STD-202, METHOD 101, CONDITION B
- SHOCK: MIL-STD-202, METHOD 213, CONDITION I
- VIBRATION: MIL-STD-202, METHOD 204, CONDITION D
- MOISTURE RESISTANCE: MIL STD 202, METHOD 106



CUSTOMER DRAWING

THIS DRAWING TO BE INTERPRETED PER ANSI Y 14.5M - 1982

"μSTATION"

COMPANY CONFIDENTIAL

TOLERANCE UNLESS OTHERWISE SPECIFIED	DRAWN BY SWC	DATE 7-27-98	299 Johnson Ave. P.O. Box 1732 Waseca, MN 56093-0832	
DECIMALS .XX	CHECKED BY SWC	DATE 11-2-98	TITLE JACK ASSEMBLY RA PC MOUNT BULKHEAD REVERSE POLARITY SMA	
.XXX REF	APPROVED BY TAK	DATE 11-6-98	CODE NO.	DRAWING NO. C - 142-4701-501/510
MATL	APPROVED BY RJB	DATE 11-12-98	SCALE	SHEET 2 OF 2
FINISH	RELEASE DATE		U/M	INCH