

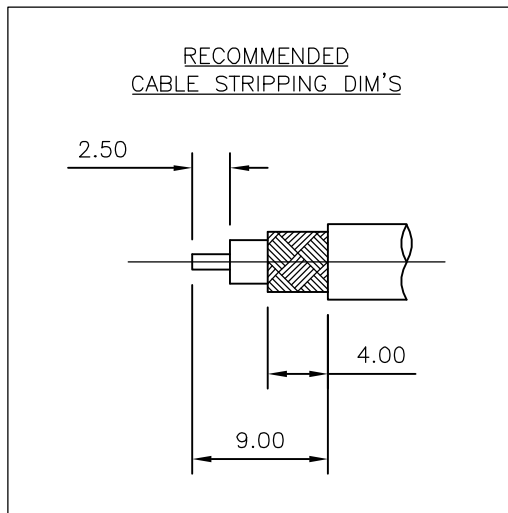
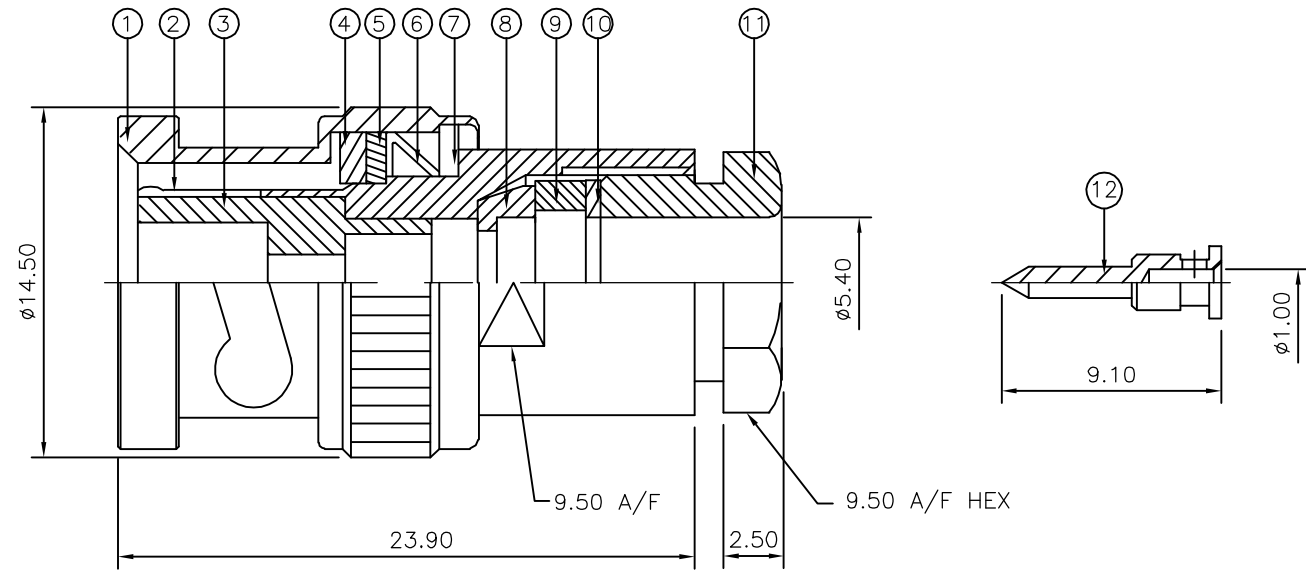
THIS DRAWING IS UNPUBLISHED. RELEASED FOR PUBLICATION NOV ,2005.

© COPYRIGHT 2005 BY TYCO ELECTRONICS CORPORATION. ALL RIGHTS RESERVED.

LOC	DIST	REVISIONS					
E	B	P	LTR	DESCRIPTION	DATE	DWN	APVD
		C		ECR-05-015880	18NOV05	JMS	FWK

NOTES:

- 1 PACK IN ACCORDANCE WITH AMP SPEC 107-3275
- 2 100 TRAY PACK IN ACCORDANCE WITH AMP SPEC 107-3275
- 3 Ag PLATING
- 4 THIS ITEM MUST BE WHITE
- 5 ELECTRICAL CHARACTERISTICS
 FREQUENCY RANGE: DC - 4 GHz
 NOMINAL IMPEDANCE: 50 Ohm
 INSULATION RESISTANCE: 5000 MOhm
 WORKING VOLTAGE: 500 Volts RMS at Sea Level
 DIELECTRIC WITHSTAND VOLTAGE: 1500 Volts RMS Max
 CONTACT RESISTANCE:
 CENTRE CONTACT: 1.50 mOhm Max
 OUTER CONTACT: 0.20 mOhm Max
 VSWR @ 4GHz: 1.30:1 Max
 INSERTION LOSS dB @ x 3 GHz: 0.20 Max
- 6 MECHANICAL CHARACTERISTICS
 COUPLING NUT RETENTION FORCE: 445N Min
 CABLE RETENTION FORCE: 170N Min
 CLAMP NUT RECOMMENDED TORQUE: 4N
 DURABILITY: 500 Cycles Min
- 7 ENVIRONMENTAL CHARACTERISTICS
 OPERATING TEMPERATURE: -65 to +165 DegC



	1	1	BRASS	3	CONTACT	12
	1	1	BRASS	3	CLAMP NUT	11
	1	1	BRASS	3	WASHER	10
	1	1	SILICON RUBBER	4	GASKET	9
	1	1	BRASS	3	SLEEVE	8
	1	1	BRASS	3	WASHER	7
	1	1	SPRING STEEL		SPRING	6
	1	1	BRASS	3	WASHER	5
	1	1	SILICON RUBBER	4	GASKET	4
	1	1	PTFE		INSULATION	3
	1	1	BRASS	3	BODY	2
	1	1	BRASS	3	SHELL	1
	6--0	1--0			MATERIAL	DESCRIPTION
						ITEM

QUANTITY PER ASSY		PARTS LIST	
DWN J.SANDWELL 18NOV05		Tyco Electronics Corporation	
CHK S.PARLOW 18NOV05		Bideford EX39 4HE	
APVD F.WHEELER-KING 18NOV05		NAME	
PRODUCT SPEC 108-3435		BNC STRAIGHT PLUG SOLDER 50 OHM	
APPLICATION SPEC 411-3252		RG58C/U, 141A/U, URM43,76, Belden 9907,KX15	
SIZE A3	CAGE CODE 00779	DRAWING NO C-1337421	RESTRICTED TO -
CUSTOMER DRAWING		SCALE NTS	SHEET 1 OF 1 REV C

THIS DRAWING IS A CONTROLLED DOCUMENT.	
DIMENSIONS: mm	TOLERANCES UNLESS OTHERWISE SPECIFIED:
	0 PLC ± -
	1 PLC ± -
	2 PLC ± -
	3 PLC ± -
	4 PLC ± -
	ANGLES ± -
MATERIAL SEE TABLE	FINISH -